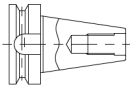
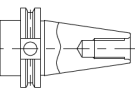
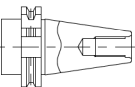


#50

STANDARD (GRIP)	THRU-SPINDLE COOLANT SYSTEM	RETENTION KNOB STANDARD	Part No. (Maker: Maker Part No.)
MAS		NONE	90° (for MAS) DMGMORI original M24 P=3.0 45 30° N29011 (BIG: POM50) N29113 (NIKKEN: PS-O)
		MAS1	M24 P=3.0 45 5° N29091 (BIG: P50T-1) N29114 (NIKKEN: PS-5)
		MAS2	M24 P=3.0 45 80° N29092 (BIG: P50T-2) N29115 (NIKKEN: PS-6)
		SIDE THRU	90° (for MAS) DMGMORI original M24 P=3.0 45 30° O-ring P-21 N29124 (NIKKEN: PS-0G)
		MAS1	M24 P=3.0 45 5° O-ring P-21 N29125 (NIKKEN: PS-5G)
		MAS2	M24 P=3.0 45 30° O-ring P-21 N29126 (NIKKEN: PS-6G)
CAT		CENTER THRU	90° (for MAS) DMGMORI original M24 P=3.0 45 30° O-ring P-21 N29031 (BIG: POM50H1) N29119 (NIKKEN: PS-O56)
		MAS1	M24 P=3.0 45 5° O-ring P-21 N29034 (BIG: P50T-1H8) N29120 (NIKKEN: PS-595)
		MAS2	M24 P=3.0 45 30° O-ring P-21 N29035 (BIG: P50T-2H4) N29121 (NIKKEN: PS-596)
		NONE	90° (for CAT) DMGMORI original 1-8UNC 45.2 30° N29012 (-) N29116 (NIKKEN: PS-019)
		SIDE THRU	90° (for CAT) DMGMORI original 1-8UNC 45.2 30° O-ring S-24 N29127 (NIKKEN: PS-019G)
		CENTER THRU	90° (for CAT) DMGMORI original 1-8UNC 45.2 30° O-ring S-24 (BIG) S-24 (NIKKEN) O-ring P-9 N29032 (BIG: POM50CH1) N29122 (NIKKEN: PS-058)
DIN		NONE	DIN M24 P=3.0 34 N29054 (BIG: PVD50S1) N29117 (NIKKEN: PS-512)
		MAS1	90° (for DIN) DMGMORI original M24 P=3.0 45.2 30° N29094 (BIG: ABOLITION) N29118 (NIKKEN: PS-047-2)
		SIDE THRU	DIN M24 P=3.0 34 O-ring P-21 N29128 (NIKKEN: PS-581)
		MAS1	90° (for DIN) DMGMORI original M24 P=3.0 45.2 30° O-ring P-21 N29129 (NIKKEN: PS-047-1G)
		CENTER THRU	DIN M24 P=3.0 34 O-ring P-21 O-ring P-9 N29033 (BIG: PVD50H1) N29123 (NIKKEN: PS-597)
		MAS2	90° (for DIN) DMGMORI original M24 P=3.0 45.2 30° O-ring P-21 N29055 (BIG: POM50SH1) N29051 (NIKKEN: PS-065)

No.50 Taper Specification
 プルスタッド一覧 (BT-50相当シャンク用)

注意) 各プルスタッドはホルダーメーカーへ問合せ頂くことで入手可能です。本図をもとにプルスタッドを製作しないで下さい。本図をもとに製作されて生じる機械の破損やその他の損害に対して当社は一切の責任を負いません。

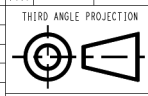
規格標準とサイドスルー仕様の形状、サイズは同じですがサイドスルー仕様には油漏れを防止する為のOリングがついてます。

NOTE) It is possible to get the retention knobs by contact with tooling maker. The dimensions given below are only for reference purpose and the retention knobs must not be manufactured by simply referring to the indicated dimensions. Mori seiki is not responsible for any loss and problem arising from the user of retention knobs manufactured in such a manner.

Shapes and sizes are the same for both standard specification and side through-spindle coolant specification. However, for side through-spindle coolant specification, O-rings are attached to prevent coolant leak.

MAJOR DESIGN CHANGE
 大幅設計変更

The property and copyright is entitled to: DMG MORISEIKI CO --Copyright according to ISO 16616 consider	Part Number.	wf. Date(d.m.y)	Name	Pre:	Document type:
	draw.	15.07.2003	GENKI FUNAKOSHI	O.C.:	
	appr.	12.07.2017	AKIO ISHII	Mass:	Format: A2 Scale:
ED1 MM235078 12.07.2017 RYUTARO OSHIMA rel.				Material:	
A05 MM184902 09.12.2011 SHINGO TANAKA					
A04 MM070917 11.07.2005 AKIHIRO TANAKA					
A03 MM065407 01.09.2004 FUTOSHI YAMAZAKI					
A02 MM063109 24.08.2004 TATSUYA SHIMAMOTO					
A01 MM049448 15.07.2003 GENKI FUNAKOSHI					
Rev. Change No. Date(d.m.y) Changed by					



THIRD ANGLE PROJECTION
 Title : TOOLING SYSTEM DIAGRAM
 Drawing Number: Rev.: Type: Sheet:

DMG MORI 081068 B01 @ 1/1